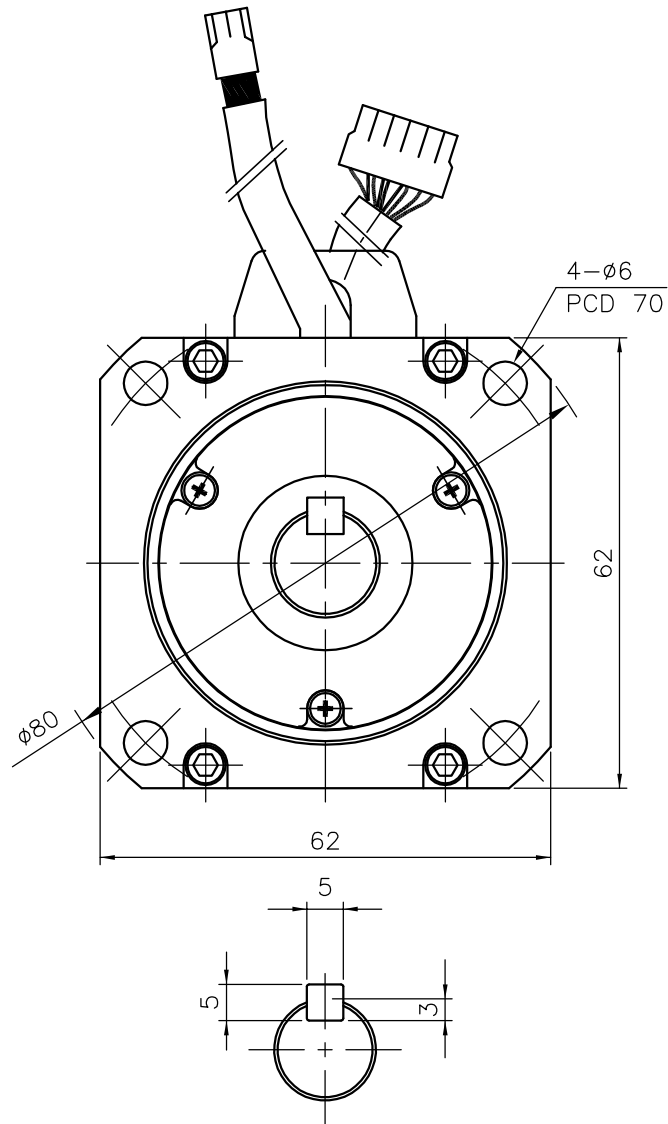
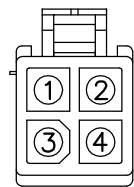


소요 수	QTY	품번	품명	재질	규격	비고	
G03	G02	G01	ITEM	DESCRIPTION	MATERIAL	SPECIFICATION	REMARK
		1	01	Out Line(Standard)		APM-SB01A_K	
	1		02	Out Line(Standard)		APM-SB02A_K	
1			03	Out Line(Standard)		APM-SB04A_K	

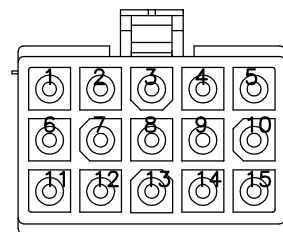


<Shaft Dimensions>



4 Pole Plug (AMP 172167-1) <Power Supply Connector Pins>

Pin No.	Color	Phase
1	Red	U
2	White	V
3	Black	W
4	Green	Ground



15 Pole Plug (AMP 172171-1)

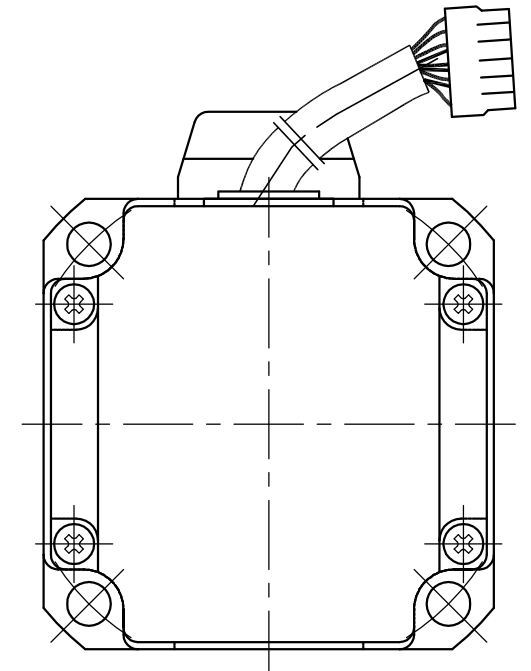
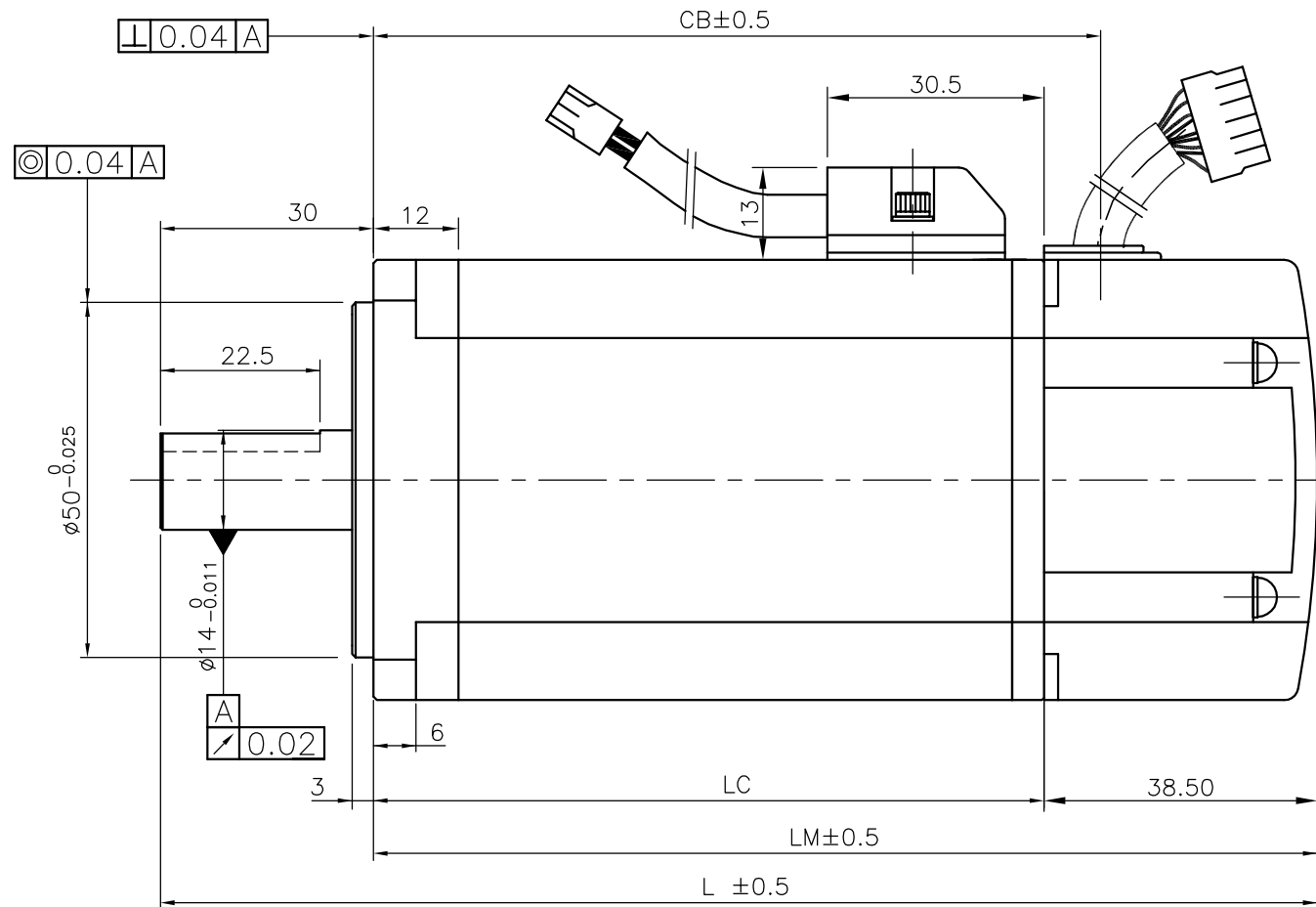
Pin no.	Phase	Pin no.	Phase
1	A	9	V
2	A	10	V
3	B	11	W
4	B	12	W
5	Z	13	DC +5V
6	Z	14	0V
7	U	15	SHIELD
8	U		

<Encoder Connector Pins>

<External Dimensions (mm)>

ITEM	Model	L	LM	LC	CB
G01	APM-SB01A_K	121.5	91.5	52.5	61.5
G02	APM-SB02A_K	135.5	105.5	66.5	75
G03	APM-SB04A_K	163.5	133.5	94.5	103

무기호공차표 (K.S)	
Tolerance	
가공구분	등급
Processing	Class
	IT12



개

CHANGE

개



삼각법	척도
3RD ANGLE PROJECTION	SCALE
(MM)	1/1 (NS)
단위	일자
DIMENSION	DATE
	2009.07.02

제품명
PRODUCT NAME
APM06 Servo Motor
도면명칭
TITLE
Out Line(Standard)
도면번호
DWG. NO.
SM06GA006
참조도면
REF. NO.

APM06 Servo Motor
Out Line(Standard)

SM06GA006

Ver:2.0

설계	검도	승인
DESIGNED	CHECKED	APPROVED