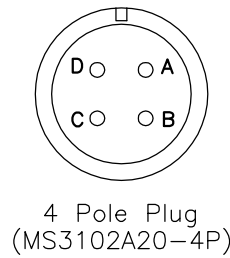
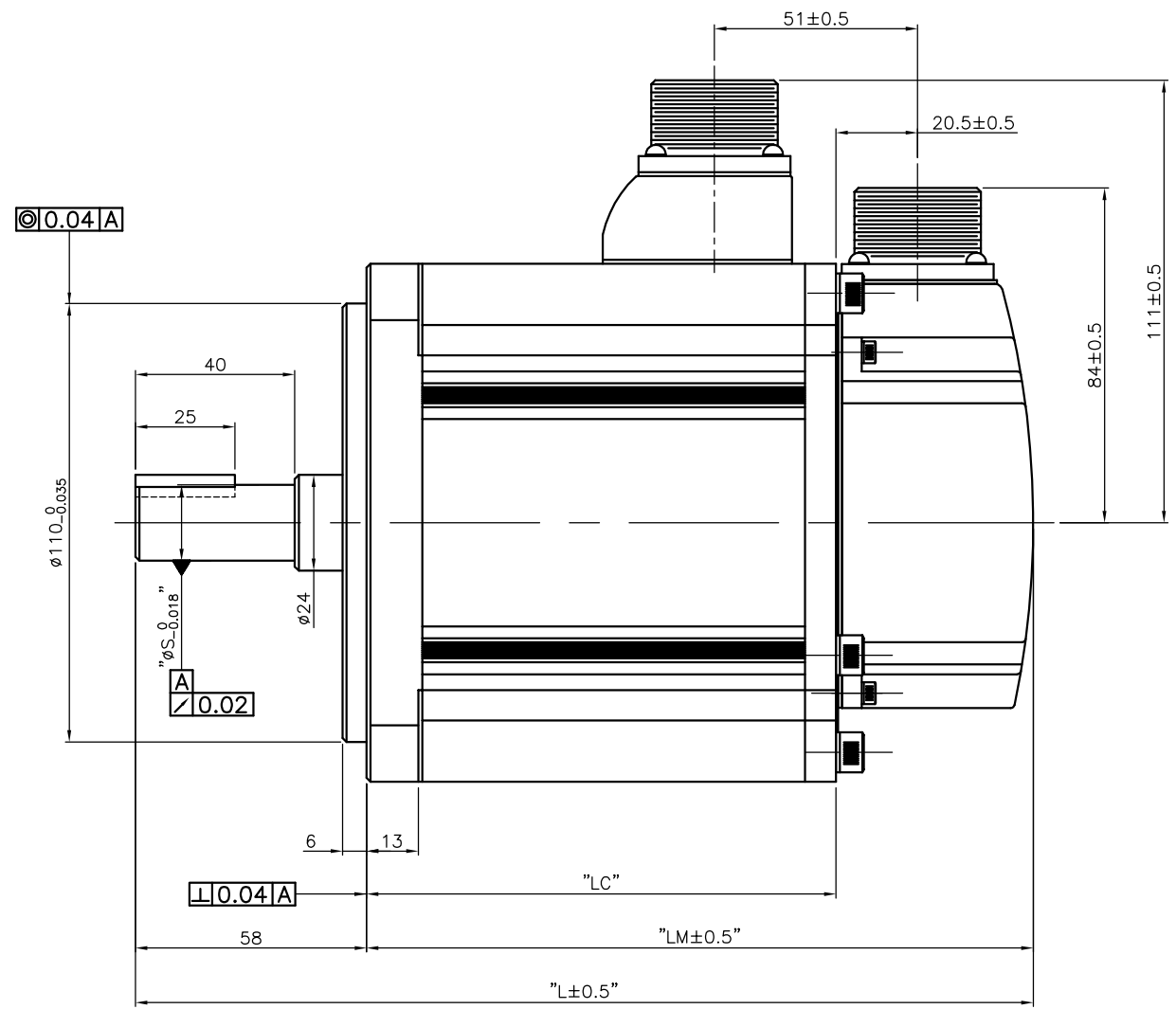
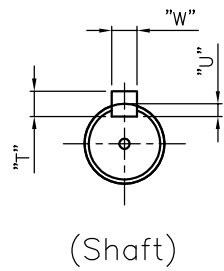
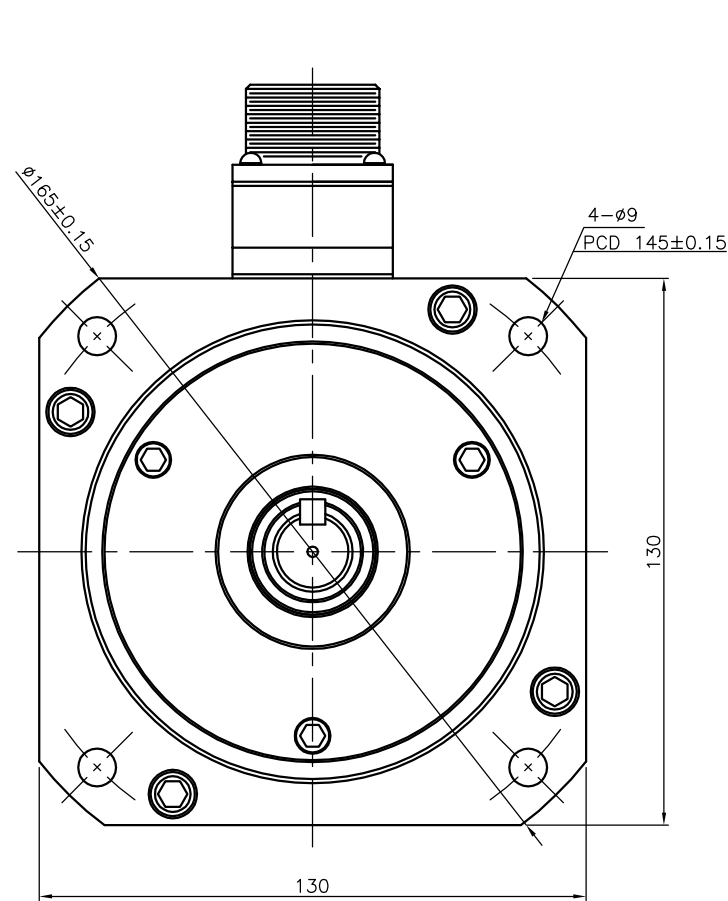
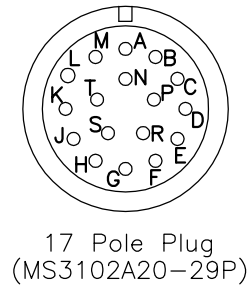


소요 수 QTY	품번 ITEM	품명 DESCRIPTION	재질 MATERIAL	규격 SPECIFICATION	비고 REMARK
		Out line			



Pin No.	Phase
A	U
B	V
C	W
D	Ground

(Power Supply Connector Pins)



Pin No.	Phase	Pin No.	Phase
A	A	M	V
B	A	N	V
C	B	P	W
D	B	R	W
E	Z	H	DC +5V
F	Z	G	0V
K	U	J	SHIELD
L	U		

(Encoder Connector Pins)

군번	Model	External Dimensions (mm)				Key		
		L	LM	LC	S	T	W	U
01	SE09A, SE06D, SE05G, SE03M	201.3	143.3	93.8	19	5	5	3
02	SE15A, SE11D, SE09G, SE06M	225.3	167.3	117.8	22	6	6	3.5
03	SE22A, SE16D, SE13G, SE09M	249.3	191.3	141.8				
04	SE30A, SE22D, SE17G, SE12M	273.3	215.3	165.8				

무기호공차표 (K.S)	
Tolerance	
가공구분 Processing	등급 Class
	IT12

개 CHANGE

30

1 2 3 4 5

LS Mecapion

삼각법 3RD ANGLE PROJECTION

척도 SCALE 1/1 (NS)

제품명 PRODUCT NAME AP13 Servo Motor

도면명칭 TITLE Outline(Standard)

도면번호 DWG. NO. SM13GA001

참조도면 REF. NO.

Ver:1.0

설계 DESIGNED

검도 CHECKED

승인 APPROVED